

# Hi-MOLD6500

HYUNDAI WIA Vertical Machining Center for Mold Machining

[www.wardcnc.com](http://www.wardcnc.com)



# Technical Leader

The Vertical Machining Center Hi-MOLD6500 designed by Hyundai WIA with years of expertise and the latest technology, ensures performance requirements of the mold industry.

## Hi-MOLD6500

[Option]

Table Size	mm(in)	1,200×650 (47.2"×25.6")
Max. Load Capacity	kg(lb)	1,000 (2,205)
Spindle Taper	-	BBT40
Spindle Speed	r/min	20,000 [24,000]
Spindle Output	kW(HP)	22/18.5 (29.5/24.8) [22/18.5 (29.5/24.8)]
No. of Tools	EA	30
Travel(X/Y/Z)	mm(in)	1,100/650/550 (43.3"/25.6/21.7")
Rapid Traverse Rate	m/min(ipm)	40/40/40 (1,575/1,575/1,575)

[www.wardcnc.com](http://www.wardcnc.com)



State of the art Technology for  
Machining Precision Molds

# Hi-MOLD6500

- Bridge type machining center for utmost quality of molding
- High precision spindle design with accurate angular contact bearing
- 20,000 rpm built-in spindle for high precision molding (Option : 24,000 rpm)
- Ball screw nut cooling system in all axes as standard
- Hyundai WIA mold package for optimal mold machining



# 01

Hi-MOLD6500

## Basic Features

Super Quality & Productivity  
Vertical Machining Center for Mold Machining

01

### Bridge Type Column Structure

Hi-MOLD6500 is built upon a bridge type column frame. The greatest benefit of the double column machining center is the increase of rigidity and the decrease of heat generation. Hence, it retains accuracy and repeatability at the highest levels.

02

### Built-In Spindle

Maximum spindle speed up to 20,000rpm(Opt: 24,000rpm) is possible due to the installation of ultra precision Angular Ball Bearings.

03

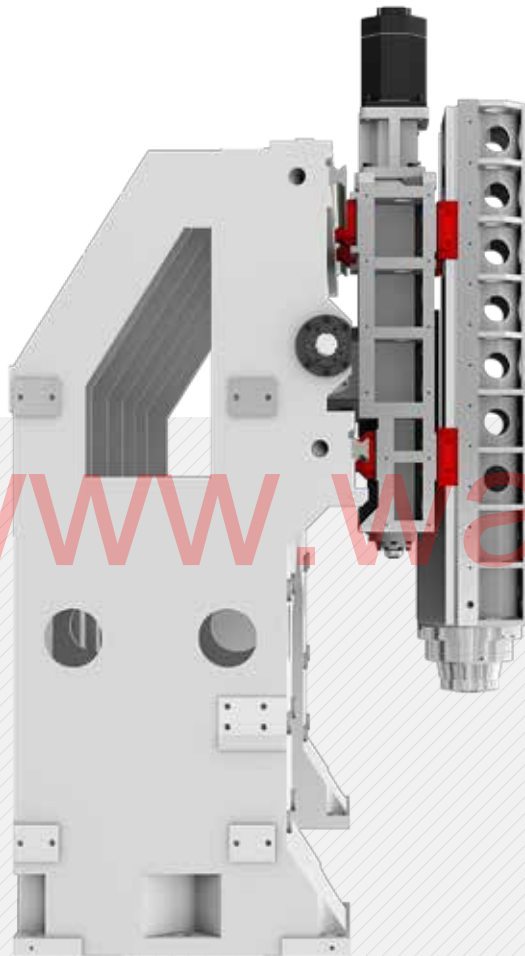
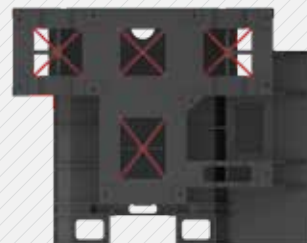


04

### X Type Rib Structure Bed

Hi-MOLD6500 is designed with a highly rigid X type rib structure, showing the best performance in high quality mold machining.

It can also offer powerful cutting and high precision machining due to excellent vibration absorption.



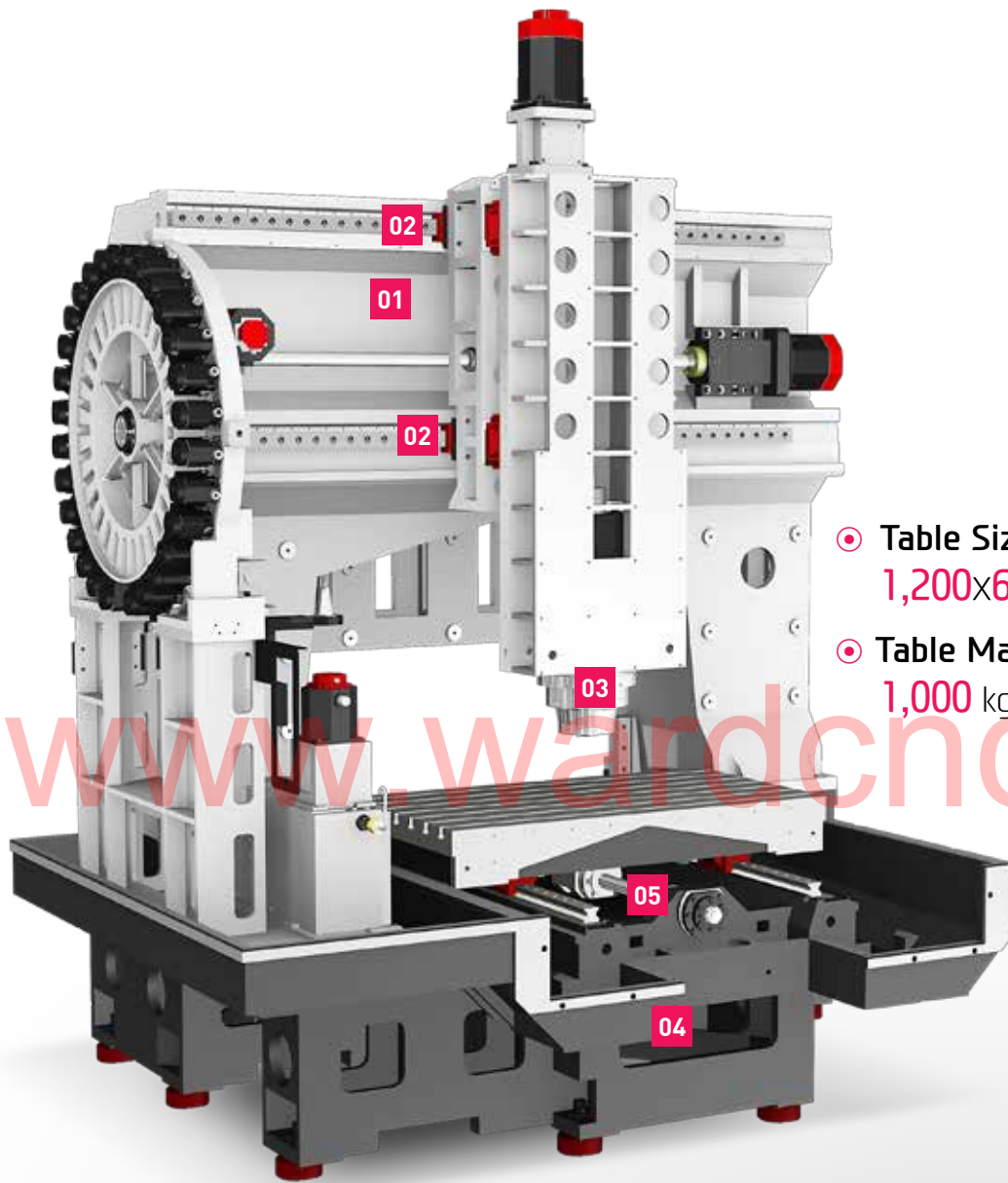
### Step Type Column Structure

Since the column's X-axis cross beam has incorporated a 'step type' design, the load that occurs at the front during machining has reduced. Furthermore, stability has increased by optimizing the column's weight.

### Grease Lubrication Method

Significant cost savings is achieved by incorporating the grease lubrication system versus the oil lubrication method.

## Basic Structure



- ◎ **Table Size (LxW)**  
1,200X650 mm (47.2"×25.6")
- ◎ **Table Max. Load Capacity**  
1,000 kg (2,205 lb)



### 05 Nut Cooling Ball Screw

HI-MOLD6500 has also adopted ball screw nut cooling system which protects travel axes from thermal displacement.

- ◎ **Rapid Traverse Rate (X/Y/Z axis) :** 40/40/40 m/min (1,575/1,575/1,575 ipm)
- ◎ **Feed Travel (X/Y/Z axis) :** 1,100/650/550 mm (43.3"/25.6"/21.7")

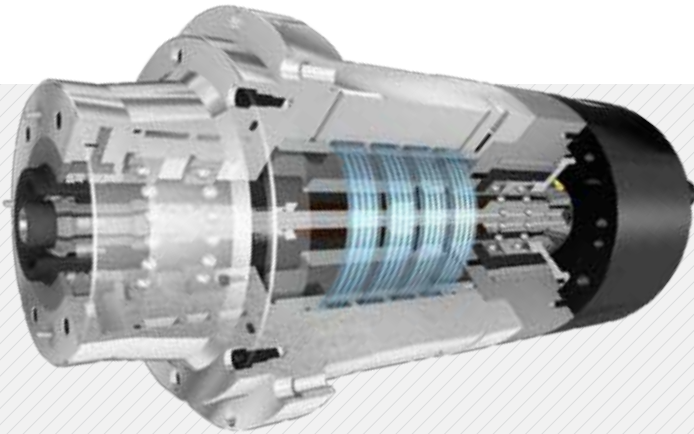
02  
Hi-MOLD6500

## High Precision Spindle

Long Lasting High Accuracy & Excellent Performance  
Vertical Machining Center







## Built-In Spindle

The built-in Spindle, designed with Angular Contact Bearings at front and back, can rotate at 24,000rpm. Also, high speed and high precision machining are possible with its rapid acceleration/deceleration. Especially, it reduces noise and vibration generated by high speed, and minimizes thermal displacement to enable stable machining.

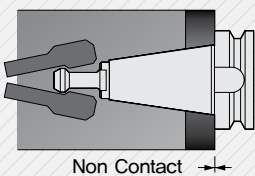
## Spindle Cooling

Oil-Air lubrication at spindle bearings is applied to minimize thermal displacement.

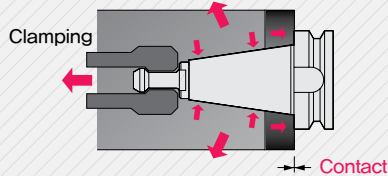
## Dual Contact Spindle

The Big Plus spindle system (BBT40) provides dual contact between the spindle face and the flange face of the tool holder. This greatly increases tool rigidity, reduces run out and adds significant productivity to machining applications.

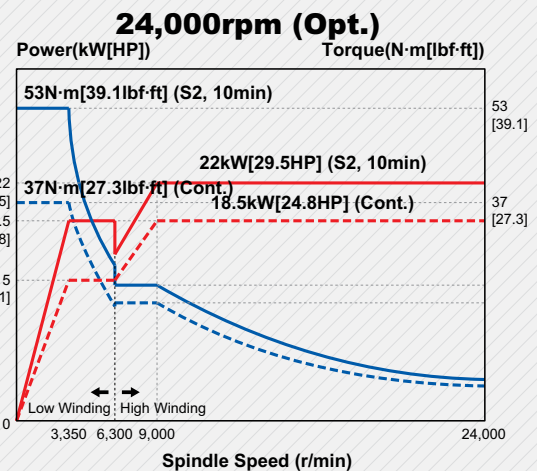
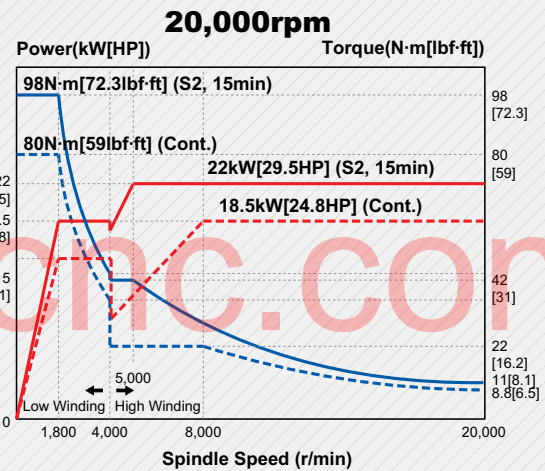
Before Clamping



After Clamping



The increase in standard diameter improves rigidity and ATC interactive precision, and Z-axis displacement is prevented which further extends tool life.



20 bar / 70 bar (290 psi / 1,015 psi)

## Through Spindle Coolant OPTION

Through Spindle Coolant is exceedingly useful when drilling deep holes. It helps increase the lifetime of the tool, while decreasing cycle time

**03**  
Hi-MOLD6500

## Table & Magazine

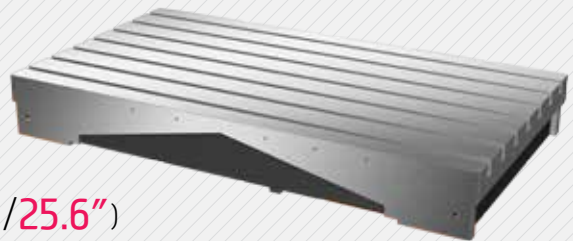
High Productivity Achieved with High Rigidity,  
Accuracy Machining



### Table & Machining Area

Compared to competitive machines, the Hi-Mold6500 has a large work envelop making setup and use easy and convenient for the operator.

- ⦿ Table Size (X/Y axis) : **1,200/650** mm (**47.2"/25.6"**)
- ⦿ Table Load Capacity : **1,000** kg (**2,205** lb)





## Magazine

The tool magazine and machining area are completely separated by a shutter so that chip, coolant and dust particles can be blocked.

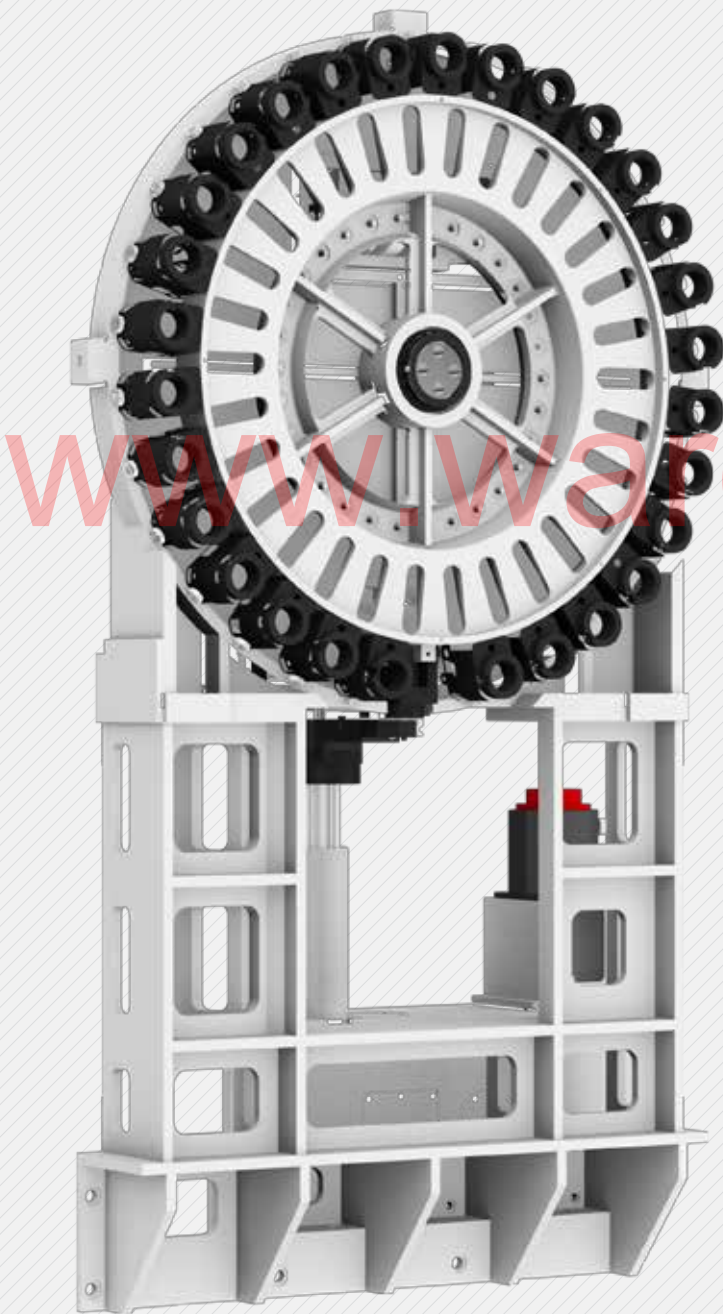
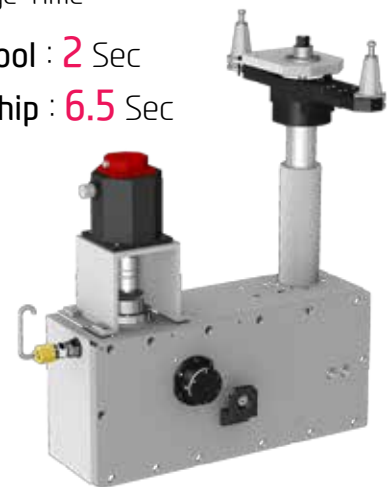
This helps to maintain high precision and cleanliness. Also, 30-pocket tool magazine is provided for increased machining flexibility and user convenience.

- Number of Tools : **30** EA
- Tool Shank : **BBT40**
- Max. Diameter of Tools : (W.T/W.O)  
**Ø80/Ø150 (Ø3.1"/Ø5.9")**
- Max. Length of Tools : **300** mm (**11.8"**)
- Max. Weight of Tools : **8** kg (**17.6** lb)
- Tool Selection Method : **Random**

## ATC

The Double Arm ATC provides fast and reliable tool changes, reducing non-cutting time.

- Tool Change Time  
Tool to Tool : **2** Sec  
Chip to Chip : **6.5** Sec



www.wardenc.com

04  
Hi-MOLD6500

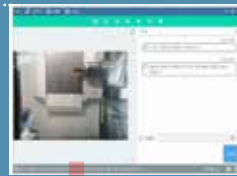
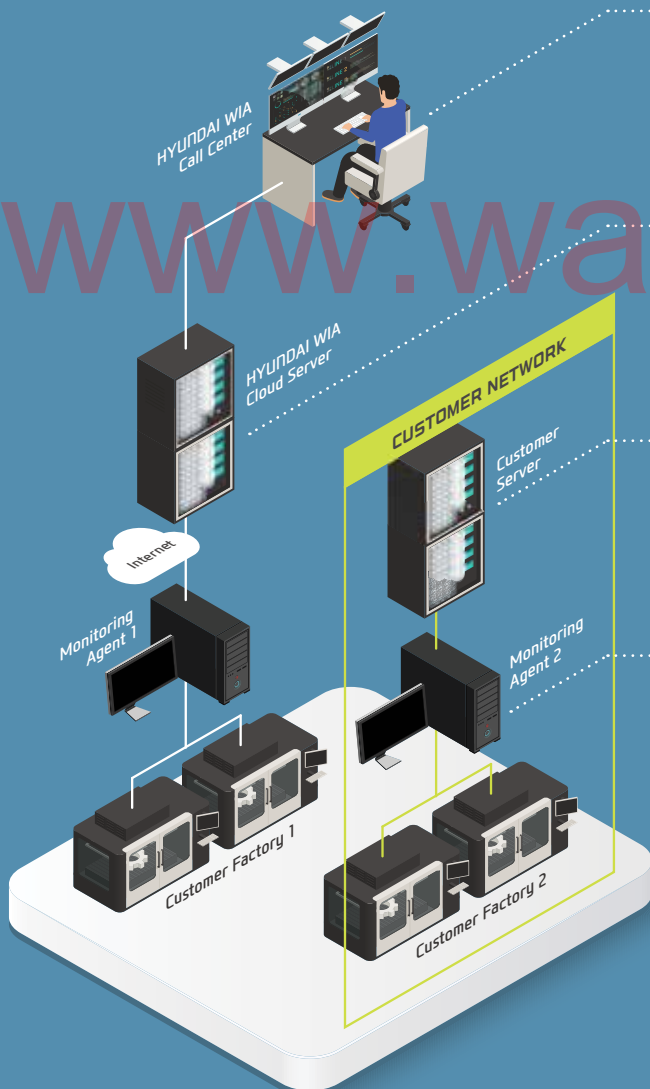
# iRiS

HYUNDAI WIA  
Smart Factory Solution  
integrated Revolution of industrial Solution

iRiS is HYUNDAI WIA's Smart Factory Solution.

iRiS, HYUNDAI WIA's revolutionary smart factory solution, consists of **Smart Monitoring System** for integrated management of HYUNDAI WIA machines around the world, and the **Smart Machining System** with ease, quality control, productivity and safety of the operator in mind.

## SMART MONITORING



### HW-MMS Remote (Remote service based)

Hyundai Wia Call Center's remote diagnosis service provides a HMI/video diagnostic function.



### HW-MMS Cloud (Cloud server based)

A cloud server-based equipment monitoring system for collecting and analyzing facility operation data.



### HW-MMS Edge (Customer Server Based)

A customer server-based equipment monitoring system for collecting and analyzing facility operation data.



### HW-MMS Collector (Machine data collector)

A dedicated program for collecting CNC data for MES/ERP.

A brand new manufacturing machine by Hyundai Wia, HW-MMS is a unique software capable of monitoring the operation status of manufacturing machines in factories, a **smart solution** to improve manufacturing conditions of customers.

## SMART MACHINING



### HW-MCG

HYUNDAI WIA  
Machine Guidance

Software that offers operation, maintenance, management monitoring and various user friendly features.



### HW-TM

HYUNDAI WIA  
Tool Monitoring

A tool monitoring software which analyzes the load of the spindle motor to determine and monitor possible damage of tools.



### HW-MCS

HYUNDAI WIA Machining  
Condition Selection

Software that automatically sets cutting and feeding parameters according to the machining types (speed, degree, quality)



### HW-WARMUP

HYUNDAI WIA  
WARMing Up

Warm-up software that measures main spindle halt and offers system warm-up time automatically.



### HW-DPRO

HYUNDAI WIA  
Dialogue PROGRAM

Software to create machining program easily and quickly through interactive operation



### HW-TDC

HYUNDAI WIA Thermal  
Displacement Compensation

Software that measures the changes in the external environment as well as heat emission during processing to help reduce thermal displacement.



### HW-AFC

HYUNDAI WIA  
Adaptive Feed Control

Software that controls the feed automatically to maintain a certain working load to extend tool life as well as productivity.



### HW-ESS

HYUNDAI WIA  
Energy Saving System

An environmental friendly software that reduces the unnecessarily wasted standby power waiting for an operation.



### RENISHAW GUI

Work / Tool Offset  
Measurement

User-friendly GUI software for material coordinate system, tool length / diameter/breakage measurement (included in RENISHAW H/W set)



### HW-eDNC

HYUNDAI WIA ethernet  
Direct Numerical Control

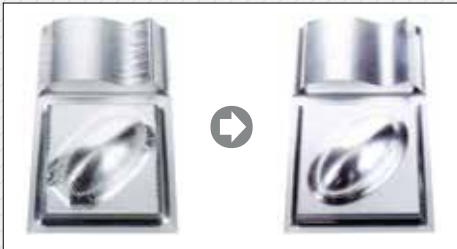
This software allows transmission of NC data between PC and a machine's CNC. The processing programs can be managed on the PC through the ethernet or serial communication.

# 05

Hi-MOLD6500

## Mold Package

Powerful Mold Package,  
HYUNDAI-WIA Mold All in One



### HWM ALL-IN-ONE

To enhance mold machining, the "HWM ALL-IN-ONE" is provided as a standard feature for Hi-MOLD6500.

This ensures accurate and high quality surface finishing and contouring.



### Mold Package Specification

HWM ALL IN ONE		Standard	Option
AICC II Package	600 block	•	
	1,000 block		•
S/W : HW-MCS, HW-AFC		•	•
Auto Power Off		•	•
Spindle Heat Distortion Compensation Device (8 Channels)		•	•
Cutting Air Blow		•	•
Auto Tool Measuring Device		•	•
Data Server 1GB		•	•

# Mold Package



- ⦿ High Speed Contouring Control (AICC II : 600 Block)
- ⦿ Automatic Power Off Device



**3 Main Spindle Cooling Device (8-channel)**  
Maintains temperature on the main spindle from thermal displacement. (heat sensor)



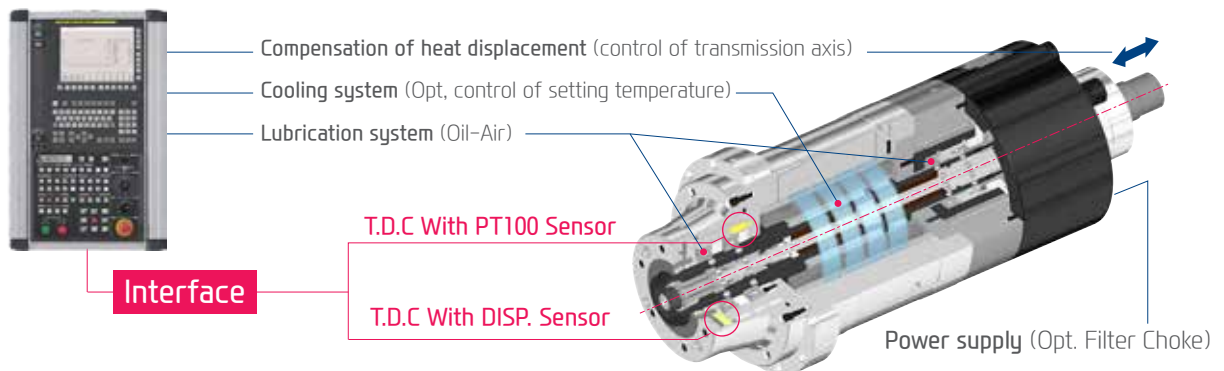
**4 Cutting Air Blow**  
Cutting air blow is provided for mold machining.



**5 Auto Tool Measuring Device (RENISHAW TS27R)**  
Detects and sets tool length, and attrition (Graphic User Interface included)

## Thermal Displacement Compensation Device

Thermal displacement of the spindle is minimized by the use of cooling techniques. This provides high accuracy when machining at high speed.







### Measuring Device

#### Touch Sensor

Workpiece coordinate values can be set automatically using the optional spindle probe.



#### TLM - Laser & Touch

Tool lengths and diameters can be set automatically using the optional tool setter. This can also be used to monitor tool attrition and detect broken tools.



Laser Type



Touch Type

### Precision Device

#### Linear Scale

Linear scales can be applied when highly accurate positioning is required.



### Hydraulic Device

#### Hydraulic Supply Unit

Instead of the standard hydraulic supply unit, an optional fixture unit can bring the pressure up to **80 bar (1,160 psi)**, maximizing the clamping force on the fixture.



### Environment Device

#### Oil Skimmer

An oil skimmer can increase coolant and tool life by removing tramp oil contaminants.



#### Mist Collector

Mist Collector reduces the amount of smoke and oil mist in the air. This helps build a safe and comfortable working environment and improve durability.



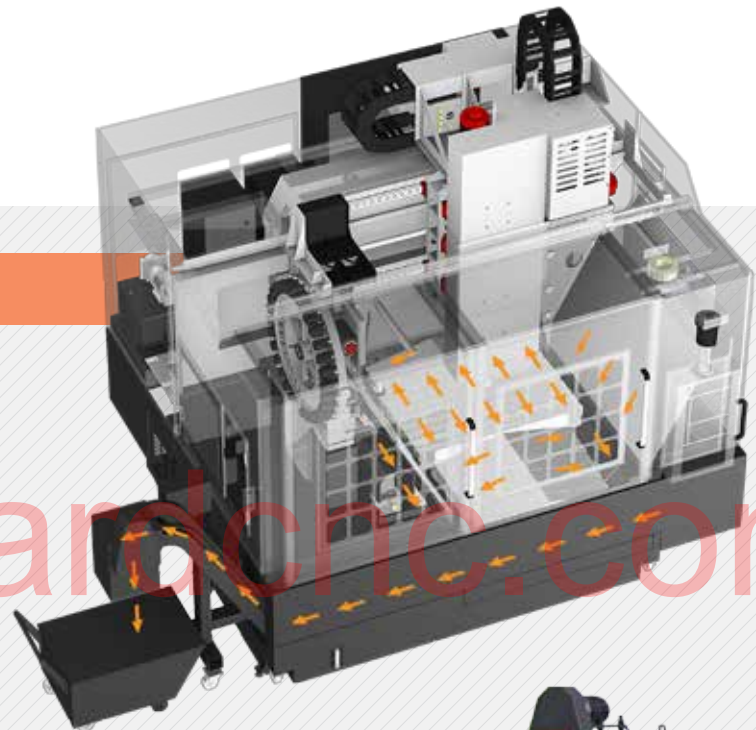


Optional

## Chip Disposal Process

### Coolant Unit

Std. Coolant (Nozzle)	Standard
Bed Flushing Coolant	Standard
Through Spindle Coolant (20bar [290psi])	Standard
Shower Coolant	Option
Gun Coolant	Option



Chip Conveyor Front (Left)

### Chip Conveyor

Timely and effective disposal of chips will enhance productivity as well as the working environment.

- **Hinge Belt Type** : Highly efficient when disposing a lot of chips. Capable of handling stringy chips. (Long Chip)
- **Scraper Type** : Convenient for shortly cut chips.. (Short Chip)
- **Drum Filter Type** : Advantageous in precision, as the chips do not flow in to the coolant nozzle. (AL Chip)



## HW-ecoPS

You can **save 20%** of energy when you choose the Hyundai WIA Eco Saving System which provides Screen Saver, Auto Power Off and Hydraulic Servo Motor Auto Control.



# SPECIFICATIONS

## Standard & Optional

Spindle		HI-MOLD6500
20,000rpm (22/18.5kW [29.5/24.8 HP])	FANUC	●
24,000rpm (22/18.5kW [29.5/24.8 HP])	FANUC	○
Spindle Cooling System		●
<b>ATC</b>		
ATC Extension	24	–
	30	●
Tool Shank Type	BBT40	●
	BCV40	☆
	HSK-A63	–
U-Center	D'andrea	–
Pull Stud	45°	●
	60°	–
	90°	–
<b>Table &amp; Column</b>		
APC		–
Tap Type Table		–
T-Slot Table		●
NC Rotary Table		☆
High Column	300mm (11.8")	–
<b>Coolant System</b>		
Std. Coolant (Nozzle)		●
Bed Flushing Coolant		●
Through spindle coolant*	20bar (290 psi)	○
	30bar (435 psi), 20 ℓ (5.3 gal)	○
	70bar (1,015 psi), 15 ℓ (4 gal)	○
	70bar (1,015 psi), 30 ℓ (7.9 gal)	–
Top Cover (Thru coolant applied when necessary)		●
Shower Coolant		○
Gun Coolant		○
Side Oil Hole Coolant		–
Air Gun		○
Cutting Air Blow		●
Tool Measuring Air Blow (Only for TLM)		●
Air Blow for Automation		☆
Thru MQL Device (Without MQL)		☆
Coolant Chiller		☆
Power Coolant System (For Automation)		☆
<b>Chip Disposal</b>		
Coolant Tank	400 ℓ (105.7 gal)	●
Chip Conveyor (Hinge/Scraper)	Left(Left)	○
	Left(Rear)	–
Special Chip Conveyor (Drum Filter)		☆
Chip Wagon	Standard (180 ℓ [47.5 gal])	○
	Swing (200 ℓ [52.8 gal])	○
	Large Swing (290 ℓ [76.6 gal])	○
	Large Size (330 ℓ [87.2 gal])	○
	Customized	☆
<b>S/W</b>		
Machine guidance (HW-MCG)		●
Tool Monitoring (HW-TM)		○
DNC Software (HW-eDNC)		○
Spindle Heat Distortion Compensation (HW-TDC)		●
Spindle Warm up Function (HW-WARMUP)		●
Energy Saving System (HW-ESS)		●
Machine Monitoring System (HW-MMS)		○
RENISHAW GUI		●
Machining Condition Selection (HW-MCS)		●
Adaptive Feed Control (HW-AFC)		●
Conversational Program (HW-DPRO)		○

● : Standard ○ : Option ☆ : Prior Consultation – : Non Applicable

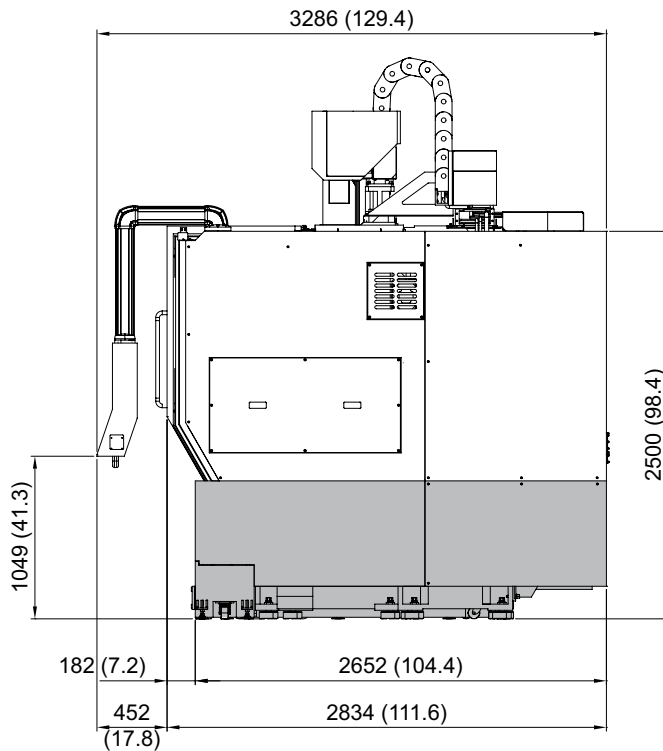
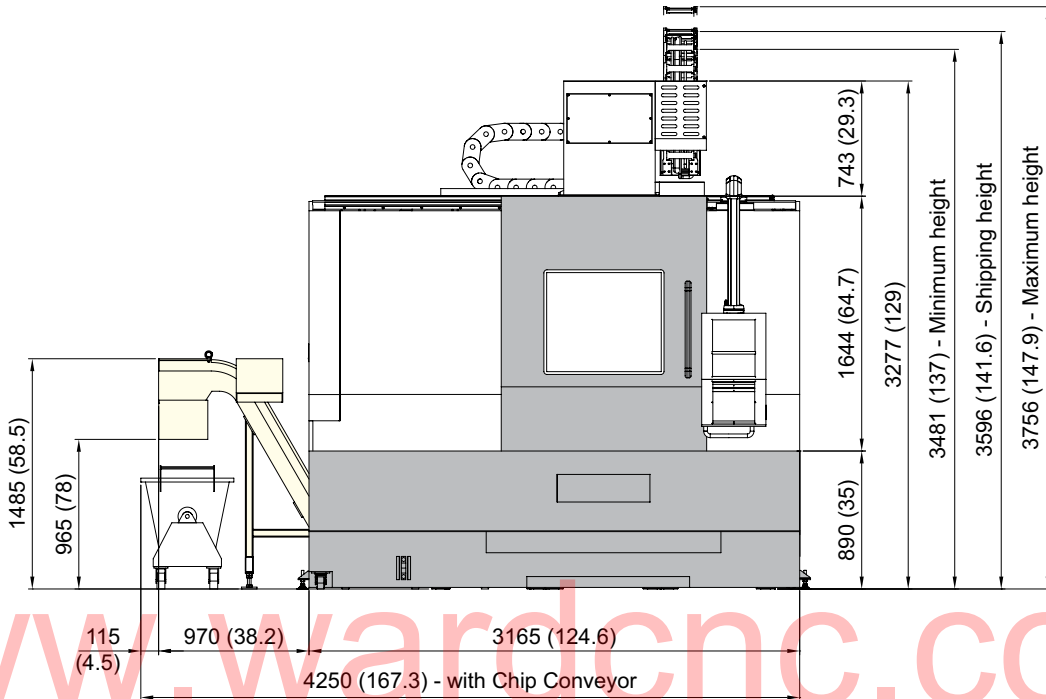
Electric Device		HI-MOLD6500
Call Light	1 Color : ●	●
Call Light	2 Color : ● ●	○
Call Light	3 Color : ● ● ●	○
Call Light & Buzzer	3 Color : ● ● ● B	○
Work Light		●
Electric Cabinet Light		○
Remote MPG		●
3 Axis MPG		○
Work Counter	Digital	☆
Total Counter	Digital	☆
Tool Counter	Digital	☆
Multi Tool Counter	6 EA	☆
	9 EA	☆
Electric Circuit Breaker		○
AVR (Auto Voltage Regulator)		○
Transformer	50kVA	○
Auto Power Off		●
Back up Module for Black out		○
<b>Measuring Device</b>		
Air Zero	TACO	○
	SMC	○
Work Measuring Device		○
TLM (Marposs/Renishaw/Blum)	Touch	●
	Laser	○
Tool Broken Detective Device		☆
Linear Scale	X/Y/Z Axis	○
Coolant Level Sensor (Only for Chip Conveyor, Bladder Type)		☆
<b>Environment</b>		
Air Conditioner		○
Dehumidifier		○
Oil Mist Collector		☆
Oil Skimmer (Only for Chip Conveyor)		○
MQL (Minimal Quantity Lubrication)		☆
<b>Fixture &amp; Automation</b>		
Auto Door	Std.	○
	High Speed	☆
Auto Shutter (Only for Automatic System)		☆
Sub O/P		☆
NC Rotary Table/F	Single	☆
	Channel	☆
Control of Additional Axis	1Axis	○
	2Axis	☆
External M Code 4ea		○
Automation Interface		☆
I/O Extension (In & Out)	16 Contact	○
	32 Contact	○
<b>Hyd. Device</b>		
Std. Hyd. Unit	70bar (1,015psi)/ 14 ℓ (3.7 gal)	●
Center Type	2x3(6Port)	☆
Hyd. Supply Unit	2x5(10Port)	☆
	45bar (652.7psi)	–
Hyd. Unit for Fixture	70bar (1,015psi)	○
	100bar (1,450psi)	☆
	Customized	☆
<b>ETC</b>		
Tool Box		●
Customized Color	Need for Munsel No.	☆
CAD&CAM Software		☆

Through Spindle Coolant\* : Please check the filter types with sales representative.  
Specifications are subject to change without notice for improvement.

# SPECIFICATIONS

## External Dimensions

unit : mm(in)

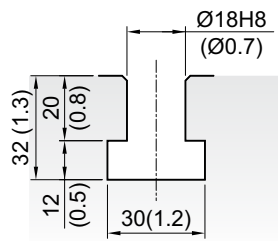
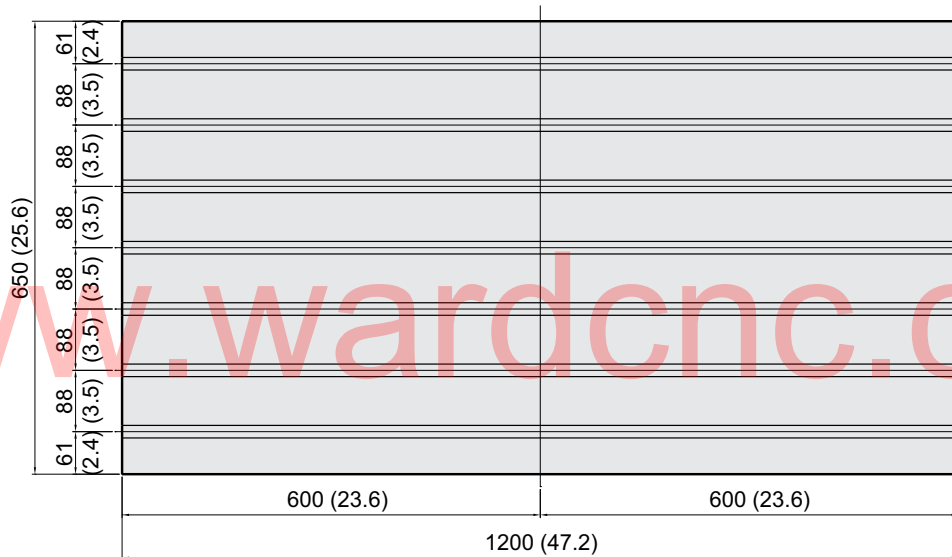


www.wardenc.com

# SPECIFICATIONS

Table Dimensions

unit : mm(in)



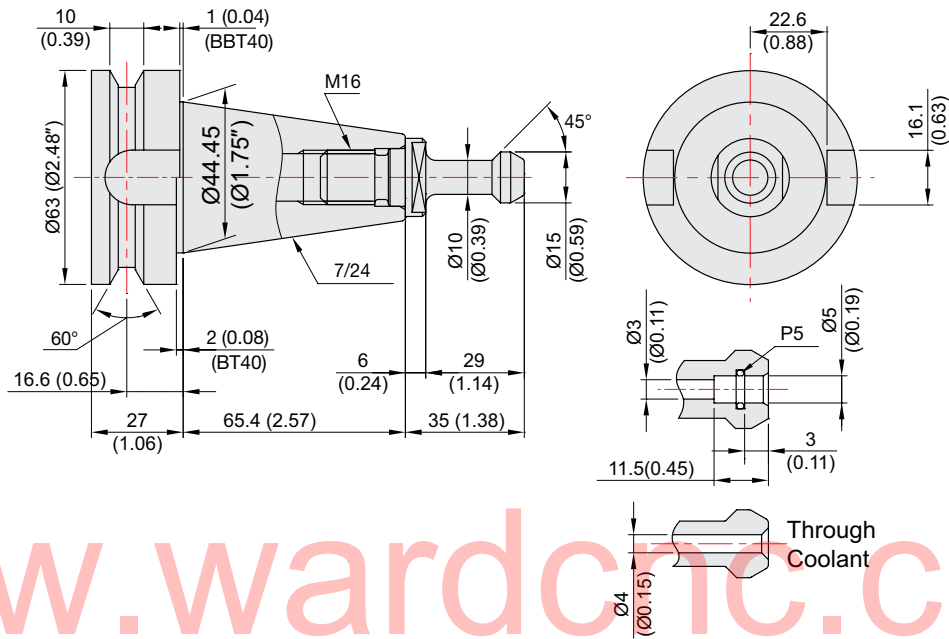
**Detail T-Slot**

# SPECIFICATIONS

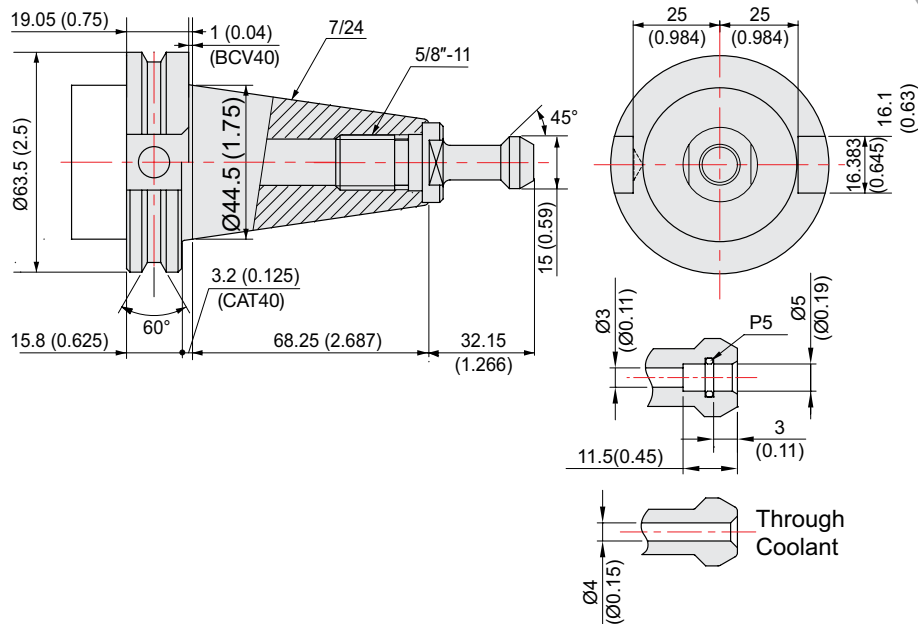
Tool Shank

unit : mm(in)

## BT40/BBT40, BIG PLUS



## CAT40/BCV40



www.wardenc.com

# SPECIFICATIONS

## Specifications

[ ] : Option

ITEM		Hi-MOLD6500		
TABLE	Table Size (LxW)	mm(in)	1,200x650 (47.2"x25.6")	
	Maximum Load Capacity	kg(lb)	1,000 (2,205)	
	Table Change Time	sec	-	
	Change Method	-	-	
	Table Driving Method	-	-	
SPINDLE	Spindle Taper	-	#40	
	Spindle RPM	r/min	20,000 [24,000]	
	Spindle Power Output (Max./Cont.)	kw(HP)	22/18.5 (29.5/24.8) [22/18.5 (29.5/24.8)]	
	Spindle Torque (Max./Cont.)	N·m(lbf·ft)	98/80 (72.3/59) [53/37 (39.1/27.3)]	
	Spindle Driving Method	-	BUILT-IN	
FEED	Travel (X/Y/Z)	mm(in)	1,100/650/550 (43.3"/25.6"/21.7")	
	Distance from Table Top to SP. Nose	mm(in)	150 ~ 700 (5.9" ~ 27.6")	
	Distance from Column to SP. center	mm(in)	260 (10.2")	
	Rapid Traverse Rate (X/Y/Z)	m/min(ipm)	40/40/40 (1,575/1,575/1,575)	
	Slide Type	-	ROLLER GUIDE	
ATC	Number of Tools	ea	30	
	Tool Shank	-	BBT40	
	Max. Tool Dia. (W/T Adjacent Tool)	mm(in)	Ø80/Ø150 (Ø3.1"/Ø5.9")	
	Max. Tool Length	mm(in)	300 (11.8")	
	Max. Tool Weight	kg(lb)	8 (17.6)	
	Tool Selection Method	-	RANDOM	
	Tool Change Time	T-T	sec	2
		C-C	sec	6.5
	TANK CAPACITY	Coolant Tank	ℓ (gal)	400 (105.7)
Lubricating Tank		ℓ (gal)	3 (0.8)	
Hydraulic Tank		ℓ (gal)	15 (4)	
POWER SUPPLY	Air Consumption (0.5MPa)	ℓ /min	500	
	Electric Power Supply	KVA	40	
	Thickness of Power Cable	Sq	Over 50	
	Voltage	V/Hz	220/60 (200/50*)	
MACHINE	Floor Space (LxW)	mm(in)	3,165x2,652 (124.6"x104.4")	
	Height	mm(in)	3,619 (142.5")	
	Weight	kg(lb)	11,000 (24,251)	
PC	Controller	-	FANUC 31i-B	

\*) Using 50Hz voltage instead of 60Hz may lower the output of motors. (excluding servo motors and inverter motors)  
Specifications are subject to change without notice for improvement.



# CONTROLLER

## FANUC 31i-B

[ ] : Option ☆ Needed technical consultation

Controlled axis / Display / Accuracy Compensation	
Control axes	3 axes (X, Y, Z) 4 axes (X, Y, Z, B)
Simultaneously controlled axes	3 axes [Max. 4 axes]
Least setting Unit	X, Y, Z axes : 0.001 mm (0.0001 inch) B axes : 1 deg [0.001] deg
Least input increment	X, Y, Z axes : 0.001 mm (0.0001 inch) B axes : 1 deg [0.001] deg
Inch / Metric conversion	G20 / G21
High response vector control	
Interlock	All axes / Each axis
Machine lock	All axes
Backlash compensation	± 0 ~ 9999 pulses (Rapid traverse / Cutting feed)
Position switch	
LCD / MDI	10.4 inch color LCD
Feedback	Absolute motor feedback
Stored stroke check 1	Over travel
Stored pitch error compensation	
Operation	
Automatic operation (Memory)	
MDI operation	
DNC operation	Needed DNC software / CF card
Program restart	
Wrong operation prevention	
Program check function	Dry run, Program check Z axes Machine lock, Stroke check before move
Single block	
Search function	Program Number / Sequence Number
Interpolation functions	
Pano interpolation	
Positioning	G00
Linear interpolation	G01
Cylindrical interpolation	G02, G03
Exact stop mode	Single : G09, Continuous : G61
Dwell	G04, 0 ~ 9999.9999 sec
Skip	G31
Reference position return	1st reference : G28 2nd reference : G27 Ref. position check : G30
Thread synchronous cutting	G33
Helical interpolation	Circular + Linear interpolation 2 axes(max.)
Feed function / Acc. & Dec. control	
Manual feed	Rapid traverse Jog : 0~5,000mm/min (197 ipm) Manual handle : x1, x10, x100 pulses Reference position return
Cutting Feed command	Direct input F code
Feedrate override	0 ~ 200% (10% Unit)
Rapid traverse override	F0% (F1%), F25%, F50%, F100%
Override cancel	
Feed per minute	G94
Feed per revolution	G95
Look-ahead block	40 Block 200 Block (Mold)
Program input	
Tape Code	EIA / ISO
Optional block skip	1 ea
Absolute / Incremental program	G90 / G91
Program stop / end	M00, M01 / M02, M30
Maximum command unit	± 999,999.999 mm (± 99,999.9999 inch)
Plane selection	X-Y : G17 / Z-X : G18 / Y-Z : G19
Workpiece coordinate system	G52, G53, 6 pairs (G54 ~ G59)
Manual absolute	Fixed ON
Programmable data input	G10
Sub program call	10 folds nested
Custom macro	#100 ~ #149, #500 ~ #549
G code system	A
Programmable mirror image	G51.1, G50.1
G code preventing buffering	G4.1
Including Chamfering / Corner R	
Canned cycle	G73, G74, G76, G80 ~ G89
Coordinate rotation	G68, G69

Auxiliary function / Spindle speed function	
Auxiliary function	M & 4 digit
Level-up M Code	Multi / Bypass M code
Spindle speed command	S & 5 digit, Binary output
Spindle override	0% ~ 150% (10% Unit)
Spindle orientation	M19
FSSB high speed rigid tapping	
Tool function / Tool compensation	
Tool function	Max. T 8 digit
Tool life management	256 pairs ☆
Tool offset pairs	64 pairs
Tool nose radius compensation	G40, G41, G42
Tool nose length compensation	G43, G44, G49
Tool offset memory C	Tool length, diameter, abrasion(length, diameter)
Tool length measurement	Z axes Input C
Editing function	
Part program storage size	640m (256KB)
No. of registerable programs	500 ea
Program protect	
Background editing	
Extended part program editing	Copy, move and change of NC program
Memory card program edit	
Data input / output & Interface	
I/O interface	RS 232C serial port, CF card, USB memory Embedded Ethernet interface
Screen hard copy	
External message	
External key input	
External workpiece number search	
Automatic data backup	
Setting, display and diagnosis	
Self-diagnosis function	
History display	Alarm & Operator message & Operation
Run hour / Parts count display	
Maintenance information	
Actual cutting feedrate display	
Display of spindle speed / T code	
Graphic display	
Operating monitor screen	Spindle / Servo load etc.
Power consumption monitoring	Spindle & Servo
Spindle / Servo setting screen	
Multi language display	Support 20 languages
Display language switching	Selection of 5 optional Languages
LCD Screen Saver	Screen saver
Processing select	Speed/ridigity setting
Option	
Additional optional block skip	9 ea ☆
Fast ethernet	Needed option board
Data server	Needed option board
Protection of data at 8 levels	
Sub Spindle control	
Polar coordinate command	G15, G16
Polar coordinate interpolation	G12.1, G13.1
Cylindrical interpolation	G07.1
One-way positioning	G60
Stored stroke check 2, 3	
Inverse-time feed	G93
Scaling	G50, G51
Manual guide i	Conversational auto program
Handle interrupt	
Manual handle feed	2/3 units
Additional custom macro variables	#100~#199, #500~#999 #100~#199, #500~#999, #98000~#98499
Retraction for rigid tapping	
Tool management function	
Tool offset number	Max. 2000 pair ☆
Program storage capacity	512KB ~ 8MB ☆
Program registration number	Max. 4000 ea ☆
Additional work coordinate	48 pair (G54.1 P1 ~ P48)
AICC II	200 block 400 / 600 / 1000 block ☆

Figures in inch are converted from metric values.

The FANUC controller specifications are subject to change based on the policy of company CNC supplying.

www.warocnc.com

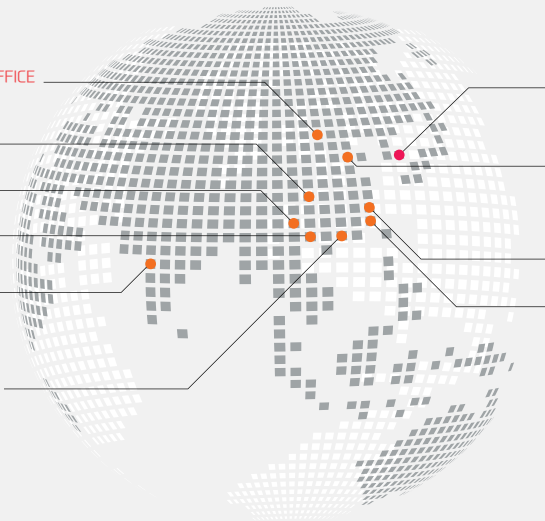
# GLOBAL NETWORK



Hyundai WIA  
Machine Tools America



Hyundai WIA  
Machine Tools Europe  
Raunheim Service Center  
Raunheim R&D Center



BEIJING BRANCH OFFICE

WUHAN OFFICE

CHENGDU BRANCH OFFICE

CHONGQING OFFICE

INDIA BRANCH OFFICE

GUANGZHOU BRANCH OFFICE

HEADQUARTER

QINGDAO BRANCH OFFICE

JIANGSU  
HYUNDAI WIA

Hyundai WIA  
Machine Tools China

SHANGHAI BRANCH OFFICE

[www.wardenc.com](http://www.wardenc.com)

# GLOBAL NETWORK



## HEADQUARTER

### Changwon Technical Center / R&D Center / Factory

153, Jeongdong-ro, Seongsan-gu, Changwon-si,  
Gyeongsangnam-do, Korea (Zip Code : 51533)  
TEL : +82 55 280 9114 FAX : +82 55 282 9680

### Uiwang Technical Center / R&D Center

37, Cheoldobangmulgwan-ro, Uiwang-si, Gyeonggi-do,  
Korea (Zip Code : 16082)  
TEL : +82 31 596 8209 Fax : +82 55 210 9804

## OVERSEAS OFFICES

### HYUNDAI WIA Machine Tools America

265, Spring Lake Drive, Itasca, IL, 60143  
TEL : +1 630 625 5600  
FAX : +1 630 625 4733

### Jiangsu HYUNDAI WIA

Company No.6 Fenghuang Road,  
Fenghuang Town, Zhangjiagang City,  
Jiangsu province, China  
TEL : +86 512 5672 6808  
FAX : +86 512 5671 6960

### Chengdu Branch Office

NO.508 Room, B Block, AFC Plaza, NO.88  
Jiaozi Road, High-tech Zone, Chengdu,  
China  
TEL : +86 028 8665 2985  
FAX : +86 028 8665 2985

### HYUNDAI WIA Machine Tools Europe

Kaiserleipromenade 5, 63067 Offenbach,  
Germany  
TEL : +49 69271 472 701  
FAX : +49 69271 472 719

### Hyundai WIA Machine Tools China Shanghai Branch Office

1-3F, Bldg6, No.1535 Hongmei Road,  
Xuhui District, Shanghai, China  
TEL : +86 021 6427 9885  
FAX : +86 021 6427 9890

### Qingdao Branch Office

Room 1207, Cai Fu Building, 182-6 Haier  
Middle Road, Qingdao, China  
TEL : +86 532 8667 9334  
FAX : +86 532 8667 9338

### Raunheim Service Center Raunheim R&D Center

Frankfurter. 63, 65479 Raunheim,  
Germany  
TEL : +49 6142 9256 111  
FAX : +49 6142 9256 100

### Beijing Branch Office

Floor 14, Zhonghangji Plaza B, No.15  
Ronghua South Road, BDA Dist., Daxing  
Dist., Beijing, China 100176  
TEL : +86 010 8453 9850  
FAX : +86 010 8453 9853

### Wuhan Office

306-2, A Tower, Jiayu Gpmggian, No12  
Chuangye Road, Economic Development  
Zone, Wuhan, Hubei, China  
TEL : +86 027 5952 3256  
FAX : +86 027 5952 3256

### India Branch Office

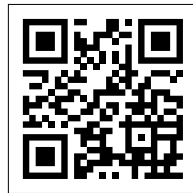
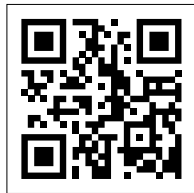
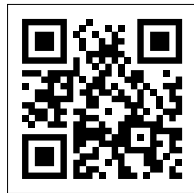
#4/169, Rajiv Gandhi Salai, (OMR),  
Kandanchavadi, Chennai-600 096,  
Tamilnadu, India  
TEL: +91-44-3290-1719

### Guangzhou Branch Office

Room 311, Unit 1-3, POLY TAL TU WUP,  
Hanxi Avenue, Panyu District, Guangzhou,  
China  
TEL : +86 020 8550 6595  
FAX : +86 020 8550 6597

### Chongqing Office

Room 951, #3, Jinrongcheng T3, Jiangbei,  
Chongqing, China  
TEL : +86 23 6701 2970



Hi-MOLD6500 Movie 1   Hi-MOLD6500 Movie 2   Hi-MOLD6500 3D Movie

# www.wardcnc.com



<http://machine.hyundai-wia.com>

---

#### Head Office & Factory

153, Jeongdong-ro, Seongsan-gu, Changwon-si, Gyeongsangnam-do   **Tel** +82 55 280 9500

#### Overseas Sales Team

16F, 37, Cheoldobangmulgwan-ro, Uiwang-si, Gyeonggi-do   **Tel** +82 31 593 8173

---

#### HYUNDAI WIA Machine Tools America

265 Spring Lake Drive, Itasca, IL, 60143   **Tel** +1 (630) 625 5600   **Fax** +1 (630) 625 4733

#### HYUNDAI WIA Machine Tools Europe

Kaiserleipromenade 5, D-63067 Offenbach, Germany   **Tel** +49 69271 472 701   **Fax** +49 69271 472 719

#### India Branch Office

#4/169, Rajiv Gandhi Salai, (OMR), Kandanchavadi, Chennai-600 096, Tamilnadu, India   **Tel** +91 44 3290 1719