

# ***MULTISERVO SUPER 80 BAR FEEDING SYSTEM***

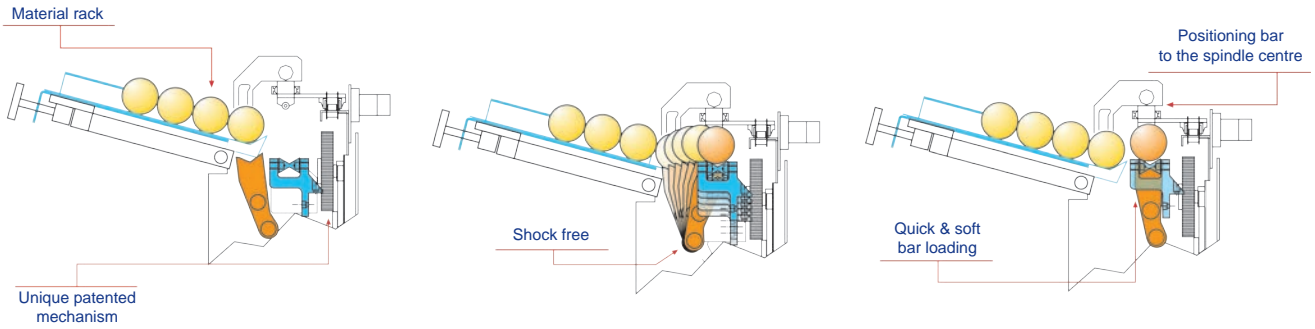


## **FEATURES:**

- Material feeding with servo drive
- Accurate positioning with or without turret stop
- Shock free magazine bar loading
- Programmed automatic diameter adjustment
- Up to 100 different job settings in memory
- Minimum setup time

**H Hydrafeed**

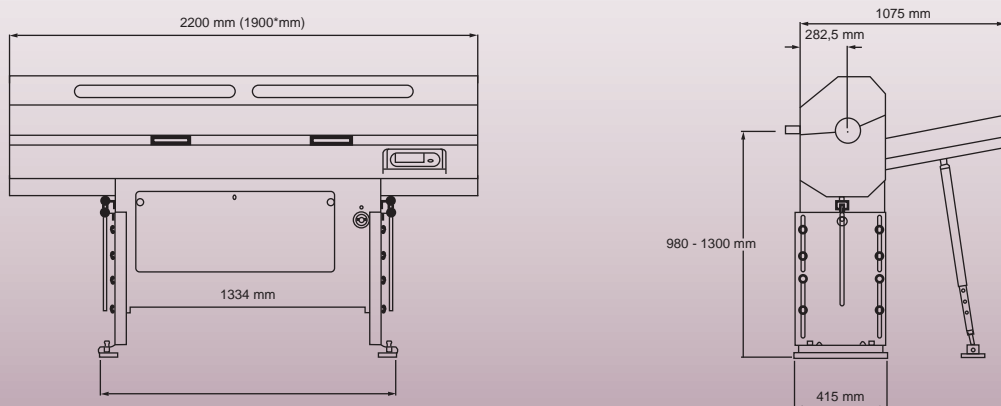
## Shock Free Bar Loading



## Technical Specification

Bar Diameter	Round Bar	∅ 6 - 80mm
	Hexagonal	6 - 70mm
Bar Length	Max:	1530 mm
Bar Weight	Max:	85 kg
Operation	Bar Feeding	Servo Drive Guide Way Supported Belt Drive
	Bar Loading	Geared Motor
Accuracy	First Infeed	±0.5 mm
	Feeding	±0.1 mm
Pushers	Standard (3)	∅ 8 - 12 - 18 mm
Operator Panel	Touch Screen Panel	

## General Dimensions



# Hydrafeed

Talgarth House, Bond Avenue, Mount Farm Industrial Estate, Milton Keynes. MK1 1JD  
 Tel: +44 (0)1908 376331 Fax: +44 (0)1908 647843  
 info@hydrafeed.co.uk www.hydrafeed.co.uk

